

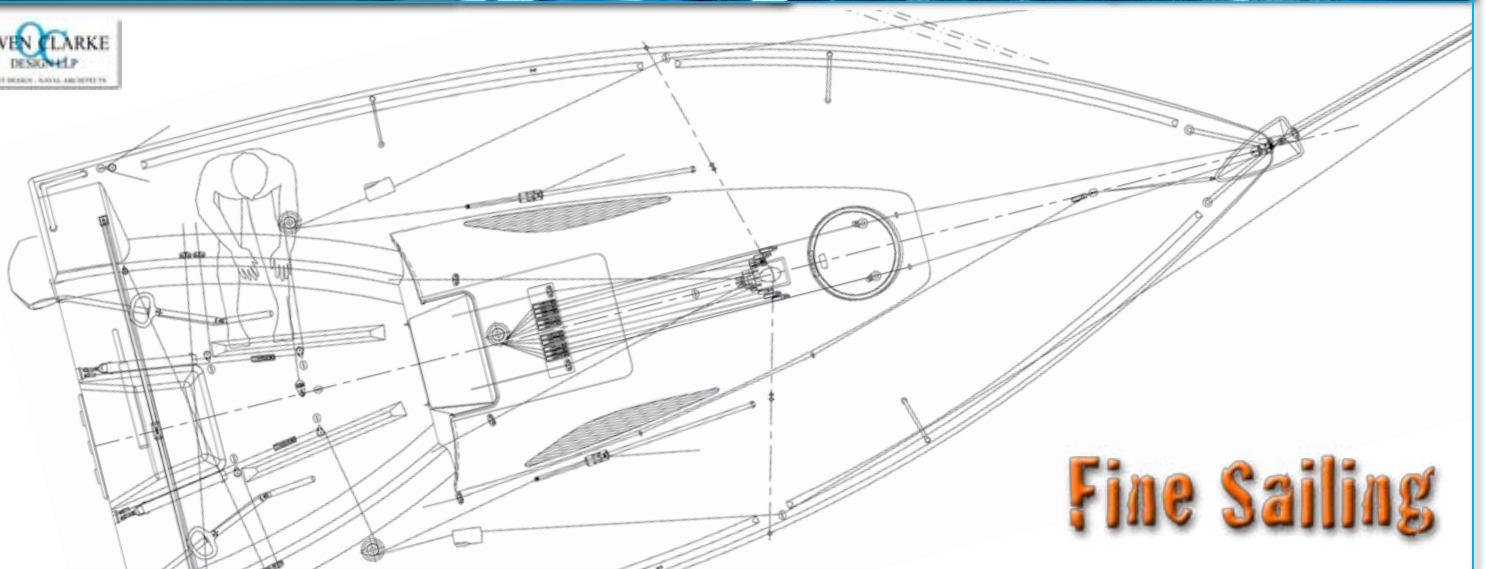
Out the driveway
Around the harbor
Across the ocean



THE NEW 176 MINI



OWEN CLARKE
DESIGN+L.P.
YACHT DESIGN / NAVAL ARCHITECTS



Fine Sailing



photos: jeffrey dingle, joe cooper, elaine chu, bill mann

Race around the buoys Wednesday night; overnight next week; across a thousand miles of ocean next month. Take it out for a daysail or a weekend cruise. Don't have a mooring? Dry sail it or park it in your driveway - it's easy to trailer, transport, rig and launch.

**A New One Design Class for North America
A New Production Mini for Europe**



**First Production Mini Made in America
First Production Mini from Owen Clarke Design**

SPECS

DISPLACEMENT: 1,120 kg. / 2,469 lbs
 LOA: 6.5 m / 21.4 ft DRAFT: 1.6 m / 5.3 ft
 BEAM: 3 m / 9.8 ft DRAFT (UP): 0.5 m / 1.5 ft
 MAIN: 23 sq. m / 248 sq. ft ASYMM. SPIN: 75 sq. m / 807 sq. ft



BASE

\$49,500

Complete boat - Composite hull, lifting keel, two rudders and tillers, all deck hardware, mast, boom and bowsprit, standing rigging, pushpits, pulpit and stanchions, lifelines.

SAIL-AWAY

\$59,500

Complete boat with running rigging, plus trailer and three sails - Main, Jib and Assymetric Spinnaker.

HULL

\$33,500

Composite hull - hull, deck and interior bonded, keel, two rudders and hardware to mount.



Designed in **Made in**

THE MINI STORE • BOATS => E-COMMERCE => EVENTS => COMMUNITY